

INTRODUCTION

To the owner or user: This service manual is intended to provide you, and the maintenance or service technician, with the information needed to install, start up, clean, maintain and repair this product.

The AF300 is an ice machine that produces flaked ice and stores it in a insulated bin. It automatically maintains the level of ice by turning on when the ice level falls and switches off when it is full.

This unit is serviceable in place; the ice storage bin and hood may be removed from the chassis to allow service access without removing the ice machine from its installed location. The refrigeration system uses R-22 as the refrigerant.

Table of Contents

Specifications	page 2
Limitations	page 3
Installation	page 4
Plumbing	page 5
Final Check List	page 6
Cabinet Removal	page 7
Component Location	page 8
Electrical Sequence	page 9
Initial Start Up	page 10
Cleaning	page 11
Water Schematic	page 15
Refrigeration Schematic	page 16
Technical Characteristics	page 17
Service Diagnosis	page 18
Removal and Replacement	page 20

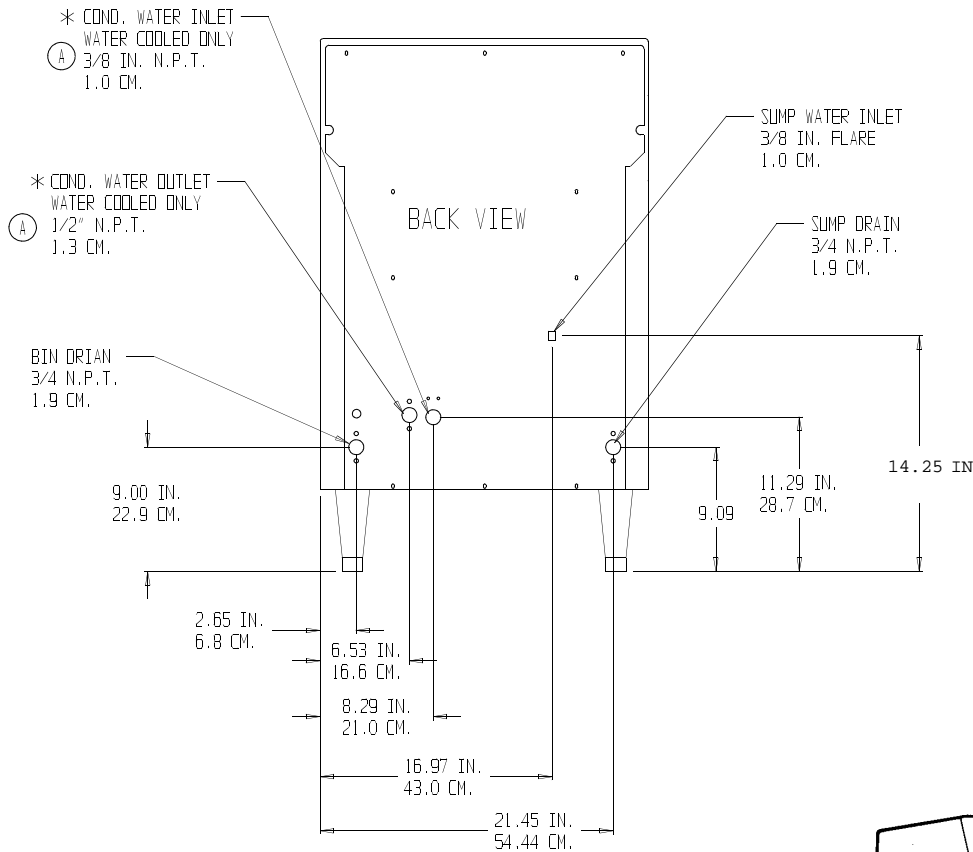
Parts lists and wiring diagrams are located in the center of this manual, printed on yellow paper.

Keep this manual for reference.

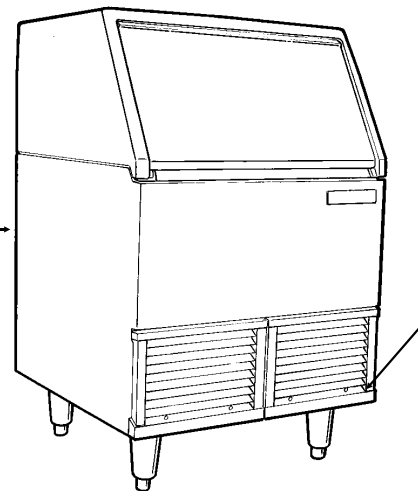
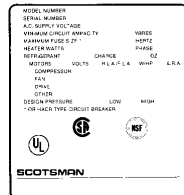
This manual was printed on recycled paper.

AF300

Specifications



The nameplate is located on the back panel.
A serial number plate is located behind the right grill, in front of the control box, on the base.



The unit is equipped with an electrical power cord, but should only be plugged into a circuit dedicated to the ice machine.

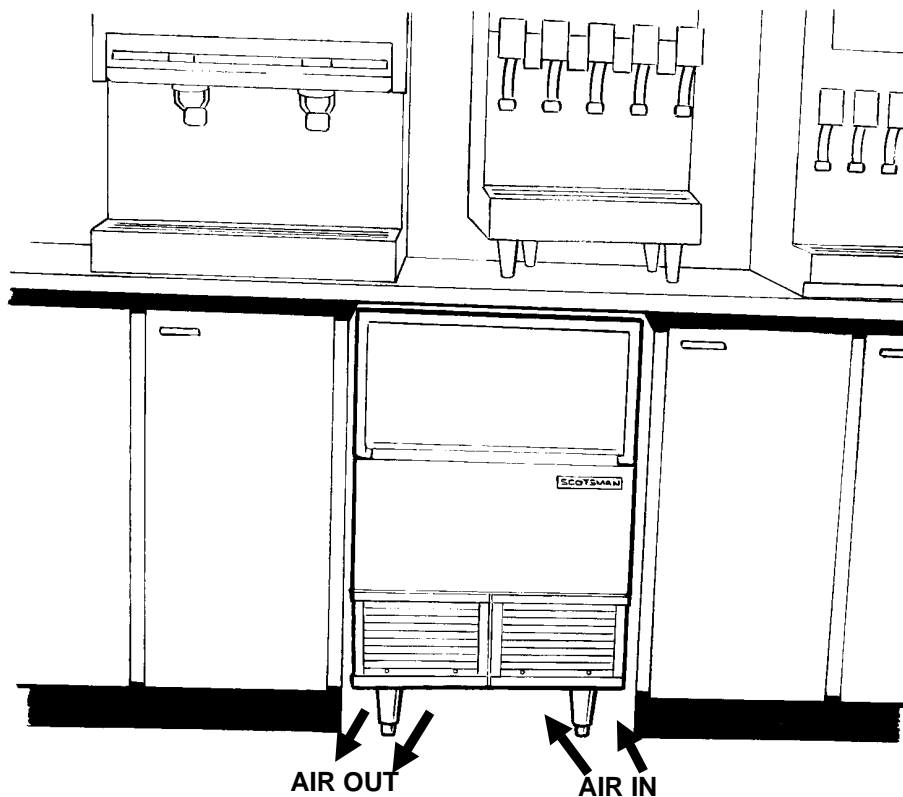
Model Number	Dimensions (w/o legs) x W x D	H	Basic Electrical	Ice Type	Condenser Type	Typical Amps	Maximum Fuse	Refrigerant
AF300AE-1A	33 x 24	24 1/4	115/60/1	Flake	Air	9	15	R-22
AF300WE-1A	33 x 24	24 1/4	115/60/1	Flake	Water	9	15	R-22

A scoop and legs (6") are included.

For The Installer: Environmental Limitations

The ice machine must be installed indoors in a controlled environment.

	Minimum	Maximum
Air Temp	50 ⁰ F.	100 ⁰ F.
Water Temp	40 ⁰ F.	100 ⁰ F.
Water Pressure	20 PSI	80 PSI
Voltage	103.5	126.5



Operating the ice machine outside of the above limitations, or outdoors, is potentially damaging to the machine, and it is misuse of the machine. This may void the warranty.

Scotsman Ice Systems are designed and manufactured with the highest regard for safety and performance. They meet or exceed the standards of UL, NSF, and CSA.

Scotsman assumes no liability or responsibility of any kind for products manufactured by Scotsman that have been altered in any way, including the use of any part and/or other components not specifically approved by Scotsman.

Scotsman reserves the right to make design changes and/or improvements at any time.

Specifications and design are subject to change without notice.

Airflow on air cooled models:

- Intake through the right grill.
- Exhaust from the left grill.

Do not install where this air flow is blocked.

The AF300 has a removable cabinet. When installed, the machine should have some extra clearance (1/8") on the left and right sides so that the cabinet may be easily removed when the machine is in place.

AF300

Installation:

Water

The water supply for this ice machine has been in contact with many materials since it fell from the sky as rain. All rain is slightly acidic, and tends to dissolve the materials it comes in contact with. During water's journey to the ice machine, it has flowed over and through the ground, been picked up by a municipal or private pump, forced through a series of pipes of differing construction and may have been treated by the municipality providing the water.

The water supplied to this ice machine will then contain a variety of substances that will likely show up as solids during the ice making process. These solids are similar to those found when water is boiled out of a saucepan. Only the water boils away, and the minerals that were in the water solidify in the pan. During ice making the water is frozen into ice, and many of the minerals stay behind in the ice machine water system. After time the minerals will have to be dissolved by ice machine cleaner, then flushed away during the cleaning process.

An ice machine is a food manufacturing plant; it takes a raw material, in this case water, and transforms it into a food product, ice. The purity of the water is very important in obtaining pure ice and in maximizing product life.

The water to the ice machine should be filtered. Water filters vary greatly in ability and function. Install one that filters out suspended solids to a dimension of 5 microns or less. The finer the filter the better, but finer filters may plug-up sooner than course ones. It may be necessary to add a course filter ahead of the fine filter to prolong filter life.

Have the water tested. Either acidic water or alkaline water will cause corrosion. Dissolved solids cannot be filtered out. Check with a water treatment specialist regarding testing, treatment and filters.

This ice machine may be installed in the open or under a counter. No clearance is required at the sides or top beyond what's needed to place the cabinet into position. Air cooled models blow air in and out through the grills at the front. Space is required for utility connections at the back.

The ice machine is not designed for outdoor use. It must be installed indoors, in a controlled environment. The air and water temperatures must not exceed rated limits.

Electrical power is supplied through a cord connected to the unit. All local codes must be followed.

Pre-installation:

1. Inspect the place where the ice machine is to be installed. Check for:

- space for the cabinet
- water supply,
- drain availability
- and electrical power supply.

No extension cords are allowed. The building drain inlet must be lower than the drain outlet(s) at the back of the ice machine. The water supply must have a hand shut off valve accessible when the unit is installed.

2. Determine the method of installation, is the machine to be installed under the counter? Is the drain in the floor under the machine? Is the water inlet accessible from the top?

Installation:

For The Plumber

1. Connect cold potable water to the 3/8" male flare at the top back of the cabinet. A water filter is recommended. Flush the water line prior to connecting to the ice machine.

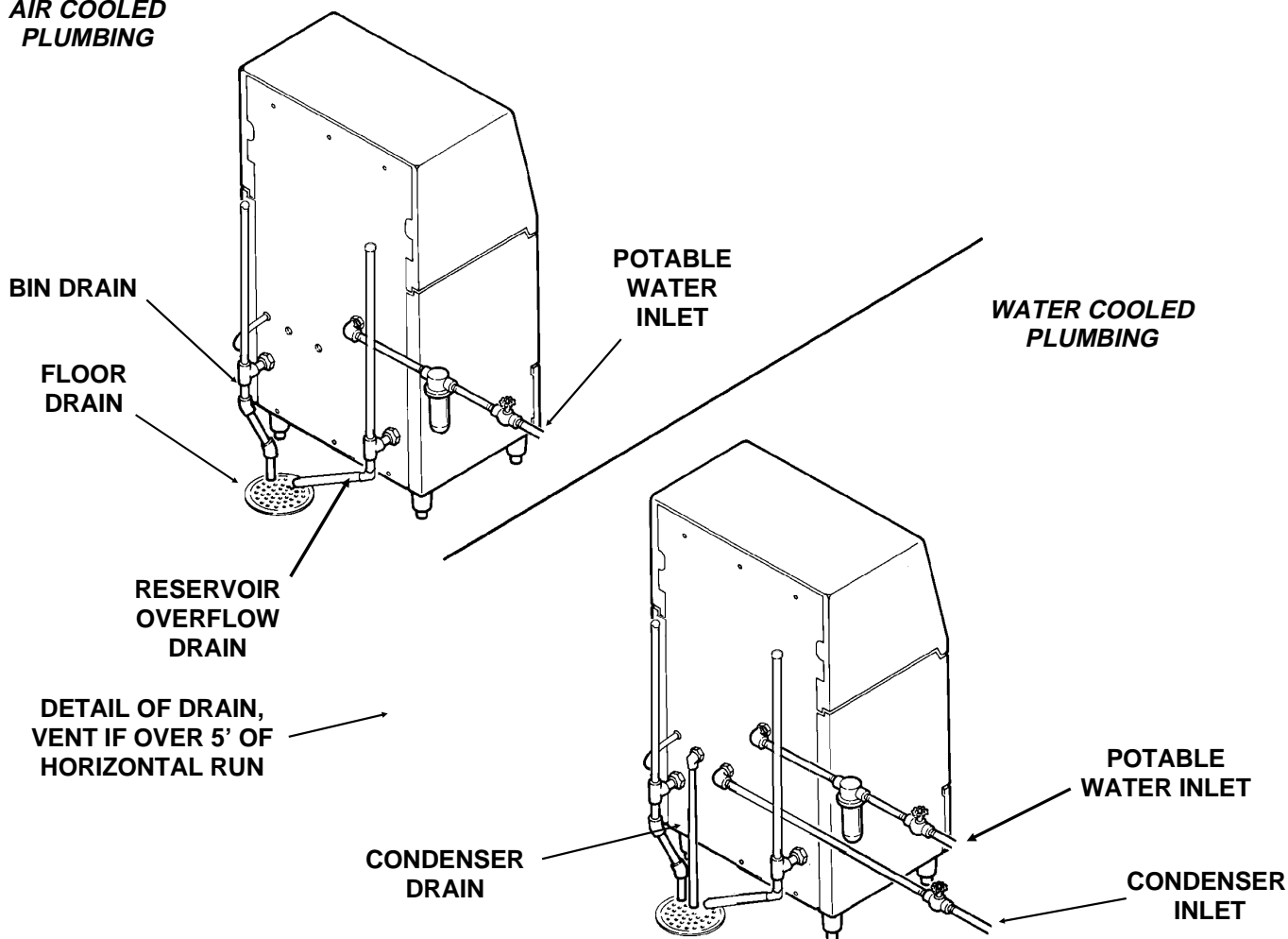
A loop of copper tubing may be used between the ice machine and the water supply. This will allow the ice machine to be pulled out from its installed location without disconnecting the water line. No back-flow preventer is required in the inlet potable water line because provision for that is incorporated in this N.S.F. listed product (the float seat is above the reservoir water level and cannot siphon).

2. Connect a drain tube to the drain fitting. If water cooled, the drain tubes must be run separately. The bin drain fitting is 3/4" F.P.T. brass.

- Drain tube material must be rigid and meet local code.
- Traps in the bin drain line without vents ahead of them will cause poor draining.
- The bin drain must be vented if there is a long horizontal run (5' or more). All drains are gravity, and must have a minimum fall of 1/4" per foot of horizontal run.
- Maintain the air gap required by local code between the end of the drain tubes and the building drain receptacle.
- Drain tubing should be insulated to prevent condensation from forming on the tubing.

3. The unit is set up for drain connections on the outside of the cabinet. To connect the drains inside would require the removal of the drain fittings attached to the back panel, and field fabricated drain tubes routed inside the base of the unit.

AIR COOLED PLUMBING



AF300

Installation

For The Electrician

This is a cord-connected unit, and must be on a separate 115 volt AC 60 cycle single phase power supply. The maximum fuse size for this circuit should be 15 amps, per the nameplate use fuses, or HACR circuit breakers.

Follow All Local Codes - THIS UNIT MUST BE GROUNDED. Do not use extension cords and do not disable or by-pass ground plug on electrical plug.

After Utility Connections:

1. Level the cabinet, use the leg levelers on the end of the legs to adjust the cabinet height. (Legs should have been installed when the unit was unpacked).
2. Wash the bin and hood. If desired, the interior of the bin could be sanitized.
3. Locate the scoop, wash it and have it available for use when needed.

Final Check List

1. Is the ice maker cabinet in a room where ambient temperatures are within the minimum and maximum temperatures specified?
2. Has the water supply been connected?
3. Is the water pressure adequate?
4. Have the water connections been checked for water leaks?
5. Have the drain connections been made?
6. Have the drain connections been checked for leaks?
7. Is the cabinet level?
8. Is the ice machine plugged into a 115 volt electrical power supply and is the ice machine the only load on that circuit?
9. Has all of the shipping material been removed from the inside of the cabinet?
10. Has the bin and cabinet been wiped clean and sanitized?
11. Has the Customer Evaluation & Warranty Registration form been filled out? Check for correct model and serial numbers from the nameplate, then mail the completed form to Scotsman.
12. Has the owner/user been given the name and telephone number of the authorized Scotsman Service Agency serving that location?

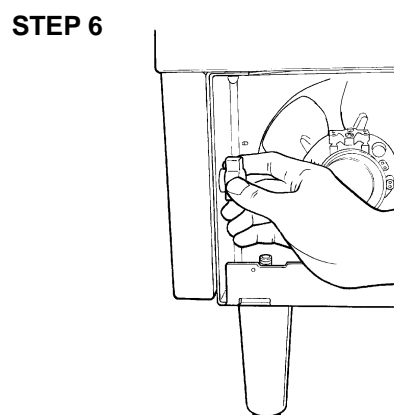
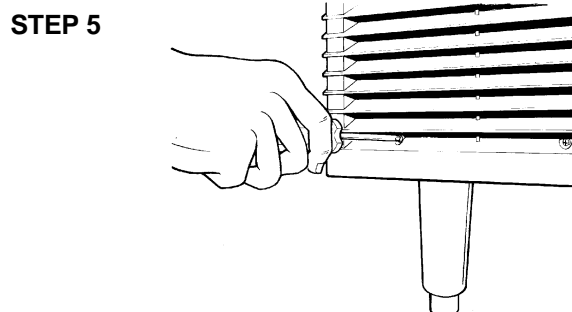
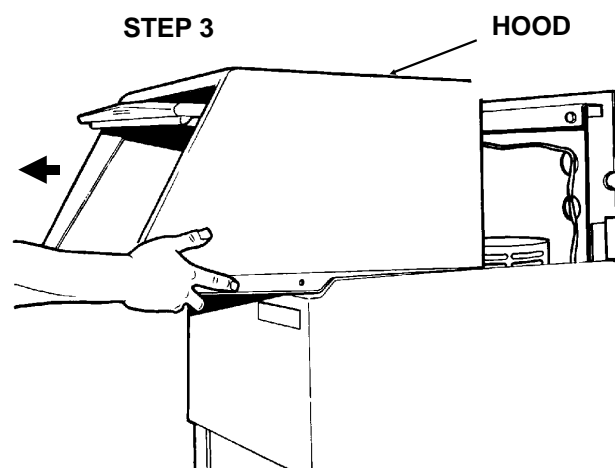
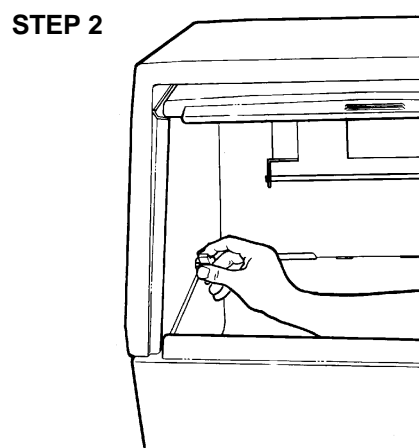
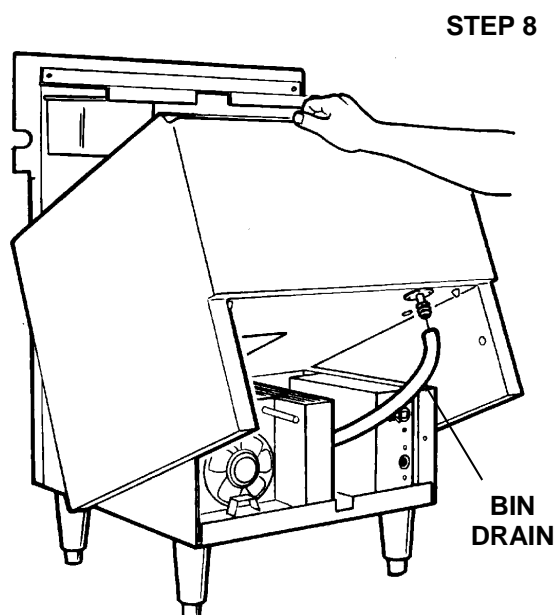
Removal of the Cabinet

One of the most useful features of this ice machine is the ability to remove the cabinet from the ice machine without removing the ice machine from its installed position.

To Remove:

1. Switch the master switch to OFF. Be certain the ice machine has been switched off.
2. Open the bin door and turn the knobs to unscrew the mounting bolts at the left and right inside of the ice storage bin. Remove the mounting bolts.
3. Pull the hood and door assembly straight out until it can be lifted up. Caution: the door may be free to come out the back of the hood when removed from the cabinet base.
4. To remove the cabinet base the hood must be removed first.
5. Remove 4 screws and the two grills at the front of the base.
6. In the area exposed when the grills are removed are two knobs similar to those removed in step 2. Unscrew and remove the two knobs.
7. Locate bin drain. Loosen hose clamp holding drain tube to fitting and pull the drain tube off of the fitting.
8. Lift up the front of the base and rotate the base up and off of the ice machine.

The machine is now exposed for service.



AF300

Component Location

The ice machine is designed for front service. Many components are serviceable from the front without removing the cabinet. With the cabinet removed, nearly all components are serviceable.

In the bin area can be found

- Float
- Reservoir
- Evaporator
- Bin Thermostat sensing tube

Behind the right front grill on the front edge of the control box:

- Bin thermostat
- Master switch

Inside the control box are the auger delay control, low pressure cut out, and the contactor.

Auger Delay Pressure Control: This pressure switch, connected to the low side of the refrigeration system, controls the auger drive motor.

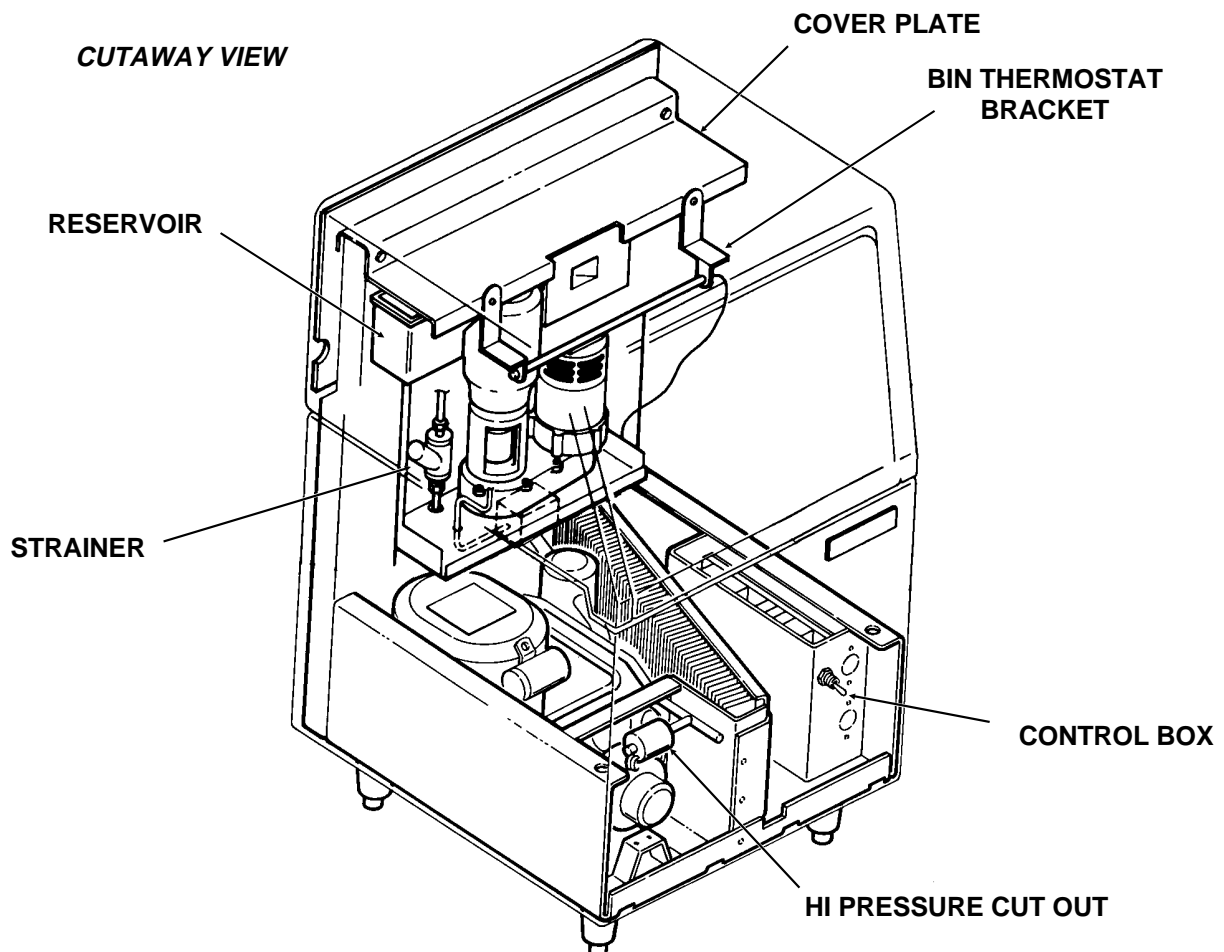
Low Pressure Control: This pressure switch, connected to the low side of the refrigeration system, is normally closed when the machine is operating. If the low side pressure should drop too low, the control will open (at 0-4 PSIG), stopping the ice maker. It is an automatic reset.

High Pressure Control: The pressure switch is designed to open and shut off the machine should the high side refrigeration pressure become too high, usually as a result of not enough water through the water cooled condenser.

It is a manual reset.

On-Off switch: This toggle switch shuts off the machine. It is not a complete disconnect.

Bin Thermostat: This thermostat turns the machine on and off in response to changes in temperature of the capillary tube. At the minimum setting, it opens at 35° F. and closes at 45° F. At the maximum setting, it opens at 51° F. and closes at 61° F. See "Initial Start Up" for adjustment information.



Electrical Sequence

There are two circuits in the AF300: one is a series circuit with several switches connected in series to the compressor. The other is a parallel branch of the series circuit, controlling the gear drive motor.

- The series circuit begins at the contactor in the control box. From there, the line side power is connected to the Master Switch.
 - From the master switch the line side power is connected to the Low Pressure Control and then the High Pressure Control. These controls, connected to the refrigeration system, are designed to open whenever higher (high pressure control) pressures or lower (low pressure control) pressures are sensed. The high pressure control is a manual reset, the low pressure control is an automatic reset.
 - The line side power is also connected, in a parallel circuit, to terminal 1 of the Auger Delay pressure control. This pressure control, connected to the low side of the refrigeration system, is designed as a by-pass circuit to the auger drive motor whenever the low side refrigerant pressure is at its normal ice making range. At start up, the contacts between terminals 1 and 2 are open. The line side power does not pass any further through the auger delay pressure control, until the compressor starts, and the low side pressure drops.
 - The next control the power is connected to is the Low Water Pressure Control. This switch is designed to open should the water pressure to the machine drop too low.
 - The next control is the Bin Thermostat. It is closed when there is no ice on the portion of the control inside the thermostat bracket. It is open when there is ice on the portion of the control inside the thermostat bracket. Closing of the bin thermostat begins the process of making ice, because the line side power now goes to the compressor contactor coil.
- Power is initially connected to the gearmotor through contacts 3 and 2 of the auger delay pressure control. This causes the auger motor to start and run. At the same time, if the centrifugal switch on top of the gearmotor closes (meaning the motor is at full speed) the compressor contactor coil is connected to the neutral side of the power supply, and the compressor begins to run.
 - As the compressor operates, the low side or suction pressure begins to fall, when it reaches a preset point, the contacts within it move, opening 3 and 2, then closing 1 and 2. The power for the gearmotor is then connected to a point in the series circuit ahead of the low pressure control, the low water pressure control and the bin thermostat, so that if any of these open, the gearmotor will continue to run, pushing ice out of the evaporator.

AF300

Initial Start Up

After the final check list has been gone through, the ice machine may be started up.

1. Open the water shut off valve and allow the reservoir to fill with water. The ice machine will not operate without 20 pounds of water pressure.

Note: The reservoir cannot be seen without removing the hood and cover plate, do not adjust float level unless the float does not shut off or overflows out the drain.

2. Remove two screws and the right grill.

3. Locate the master switch and switch it to ON.

4. On air cooled models the fan motor will begin to turn, and warm air will be discharged from the left front of the ice machine.

On water cooled models warm water will begin to flow from the condenser drain.

5. The water temperature in the evaporator will soon drop below freezing and ice will begin to flow out of the chute. The first bits of ice will not be hard nor dry as it will after about 10 minutes of ice production.

6. Allow the ice machine to operate for about 20 minutes. Then pour clean water into the bin to melt the ice. This will flush out most manufacturing or shipping materials that may have strayed into the water/ice making system.

7. Check the operation of the bin thermostat by placing ice over the sensing tube. A properly operating bin thermostat will open when ice covers the sensing tube. When the bin thermostat opens, the compressor will stop, but the auger motor will continue to operate, pushing out ice that has formed in the evaporator.

The bin will fill with ice until the top of the ice pile covers the bin thermostat sensing tube. At that point the lower part of the ice pile will be very close to the bottom edge of the door opening.

Note: The thermostat is adjustable to allow for variations in altitude. Rotating the adjustment knob counterclockwise will adjust the thermostat to open and close at warmer temperatures. Adjustment should not be needed unless the altitude is greater than 2,000 ft.

After adjustment, place ice on the thermostat tube to check that the machine shuts off at the new setting.

8. Replace all the grill and close the bin door. The ice machine is now ready for automatic operation.

Maintenance and Cleaning

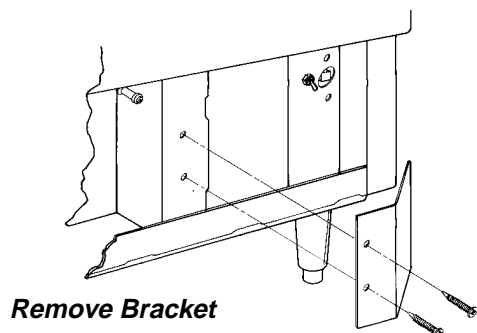
Cleaning Schedule:

- Scrub the outside and inside of the cabinet once a week with soap and water.
- Sanitize the bin interior once a month.
- Clean the water system and air cooled condenser a minimum of twice per year. If in an area of high mineral concentration in the water supply, clean water system 4 times a year.

This ice machine will perform at its best when kept clean. There are two areas to keep clean: The water system including the water reservoir, auger and evaporator surface; and the air cooled condenser filter and the condenser itself.

Air Filter (air cooled only):

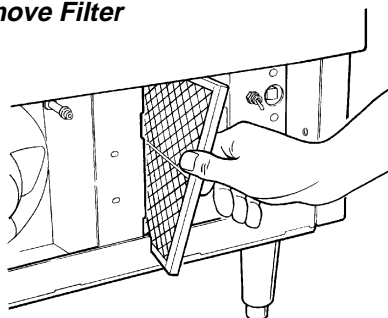
1. Remove the grill on the right front of the unit.
2. Remove two screws and the bracket holding the filter to the condenser.
3. Pull the filter forward and twist it slightly to pull it



through the slot in the front base of the ice machine.

4. Wash the surface of the filter off with cold water,

Remove Filter



or, if torn or so dirty it can't be cleaned, replace with a new filter.

5. Return the filter to its installed position.
6. Replace the bracket removed in step 2.
7. Replace the grill. Do not operate the unit without the filter in place.

Note: If the unit has been operated without the filter in place, the fins of the condenser will become fouled with dirt, and must be cleaned. Scotsman recommends that only the surface of the condenser be cleaned with the bin in place. A vacuum cleaner with a soft brush attachment will extract most loose dust stuck to the surface of the condenser fins. If there is any doubt about dirt inside the fins of the condenser, the cabinet should be removed and a qualified service agent should clean the condenser.

Water cooled units:

The water cooled condenser may, over time and under certain water conditions, become internally restricted by minerals. These will have to be dissolved by acid or the condenser replaced. Only a qualified service agent should attempt this type of service.

AF300

Maintenance and Cleaning

Cleaning Water System:

The water system is cleaned by pumping a mixture of water and Scotsman Ice Machine Cleaner through the water reservoir into the evaporator and into the ice storage bin as ice.

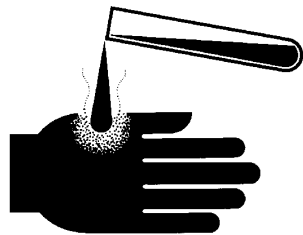
1. Locate the master switch, and move it to the OFF position.
2. Empty the bin of ice.
3. Locate knobs holding hood to bin and remove them.
4. Remove hood from ice machine.
5. Remove the right and left grills.
6. Locate knobs holding bin to chassis and remove.
7. Disconnect drain hose from bin.
8. Lift up on front of bin and rotate bin off of chassis.
9. Remove cover plate over reservoir.
10. Block the float up to shut off water flow.
11. Locate the evaporator drain, unplug it and drain the evaporator. Re-plug the drain.
12. Place the bin back onto the chassis.
13. Reconnect the drain hose to the bin drain.
14. Mix a solution of 1.5 quarts of warm (95⁰F. - 115⁰F.) water and 4 ounces of Scotsman Ice Machine Cleaner.

Scotsman Ice Machine Cleaner contains acids. These compounds may cause burns.

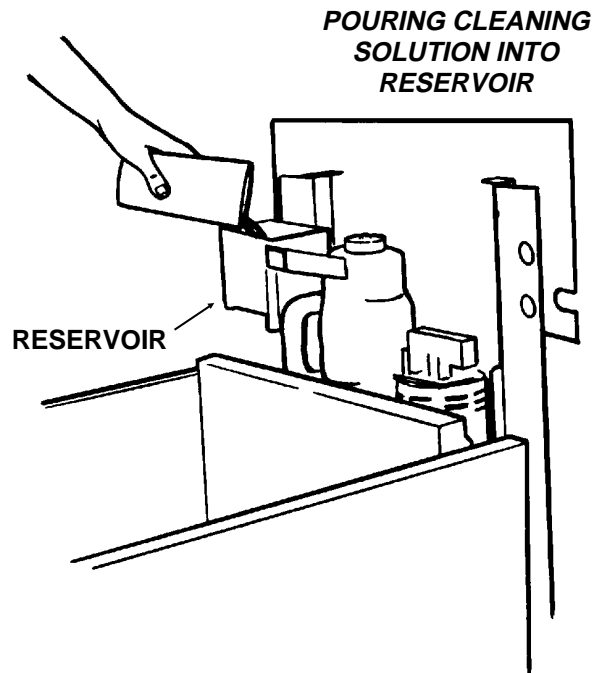
If swallowed, DO NOT induce vomiting. Give large amounts of water or milk. Call Physician immediately. In case of external contact, flush with water.

KEEP OUT OF THE REACH OF CHILDREN.

⚠ WARNING



15. Pour the cleaning solution into the reservoir until it is full and wait 20 minutes.



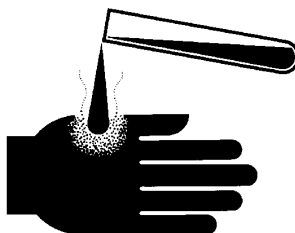
16. Move the master switch to ON, continue to pour cleaning solution into the reservoir until it has all been used.
 17. After all of the solution has been poured in, remove the block from under the float.
 18. Operate the unit for 15 more minutes, and then taste the ice, if not sour tasting all of the ice machine cleaner has been used up. Do not go to the next step until the ice has no sour taste.
 19. Pour clean water into the bin to melt any ice produced during cleaning.
- Note: The ice making portion of the water system should be sanitized after cleaning by repeating steps 15-18, except substitute an the following sanitizing solution for the cleaning solution.
- Mix a sanitizing solution of 1 ounce of household bleach to 2 gallons of warm (95⁰F. - 115⁰F.) water.
20. Replace the grills, cover plate and hood.
 21. The unit is now ready for automatic operation or sanitizing of the ice storage bin.

Maintenance and Cleaning

The interior liner of the bin is in contact with a food grade product: ice. The storage bin must be cleaned regularly to maintain a sanitary environment. Once a week cleaning with soap and water, a hot water rinse and an air dry is a basic procedure. Scale that may form on the plastic liner can be removed by scrubbing the surface with a mixture of Scotsman Ice Machine Cleaner and hot water. Remove any scale prior to cleaning.

To Remove Scale:

1. Mix a cleaning solution of 4 ounces of Scotsman Ice Machine Cleaner to 4 pints of hot (95⁰F.-110⁰F.) water.

<p>Scotsman Ice Machine Cleaner contains acids. These compounds may cause burns.</p> <p>If swallowed, DO NOT induce vomiting. Give large amounts of water or milk. Call Physician immediately. In case of external contact, flush with water.</p> <p>KEEP OUT OF THE REACH OF CHILDREN.</p>	<p>⚠ WARNING</p> 
---	--

2. Using rubber gloves, dip a nylon scouring pad into the cleaning solution and scrub the scale off the liner.
3. After the scale has been removed, rinse all surfaces inside the bin with clean, potable water.

To Sanitize the bin interior:

The hood must be removed from the storage bin so that the joint between the two can be cleaned and sanitized.

To remove the hood:

1. Open the storage bin door and locate the knobs at the right and left inside wall.
2. Unscrew and remove the two knobs.
3. Pull the hood assembly and door straight out from the ice machine. Note: the door may be removed from the back of the hood when the hood is off.

Use an approved sanitizer and follow the directions and warnings of that sanitizer or use the following instructions for use of household bleach, if it meets local codes:

1. Mix sanitizing solution of 1 ounce of household bleach to 2 gallons of water.
2. Using clean rubber gloves and a clean cloth, wipe all interior surfaces of ice storage bin, hood and door with sanitizing solution. Be sure and wipe the joint between the hood and bin with the sanitizing solution. Use a clean brush to thoroughly swab all interior surfaces with the sanitizing solution.
3. Reassemble and allow to air dry.

Stainless Steel Components Inside Bin

The stainless steel parts in the bin also require periodic cleaning. Chemicals in the water supply, such as chlorine, cause brown stains to appear on the surface of the stainless steel parts.

1. General Cleaning - staining is usually removed by washing the parts with ordinary cleaning powder such as Bon-Ami or Copper-Glo and water. After cleaning, rinse with clear water.
2. Water treatment. The chlorine enters the machine from the municipal water supply. It can be removed from the water supply by using a charcoal or activated carbon water filter to treat the water to the ice machine. If staining is severe, filters of this type are recommended.

Exterior Cabinet Cleaning:

The exterior cabinet may be cleaned by scrubbing with soap and water. Do not use cleaners containing petroleum products.

A nylon type brush may be used to scrub stubborn deposits.

AF300

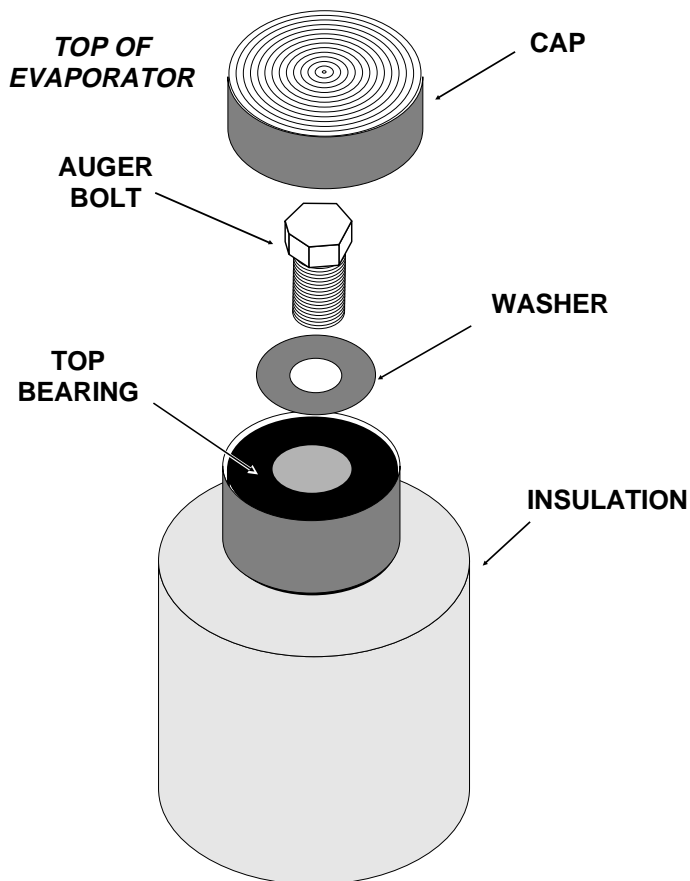
Maintenance and Cleaning

Evaporator and Auger

The bearings and water seal should be checked once per year.

Water Seal and Bearing Inspection:

1. Remove the hood, door and ice storage bin.
2. Locate water seal/bottom bearing area at the bottom of the evaporator and look for water leaks. If there is evidence of a leak, the bearings and the water seal will have to be replaced.
3. Remove stainless steel cover plate.
4. Remove cover from reservoir.
5. Remove O-ring holding insulation halves together at the top of the evaporator.
6. Remove insulation halves from the top of the evaporator.
7. Pull up on cap to remove.
8. Remove snap ring & bearing cover.
9. Inspect top bearing. If rusty or if water is visible, replace the bearings and water seal.



10. Reassemble all components.

Ice Breaker and Auger Removal for Inspection

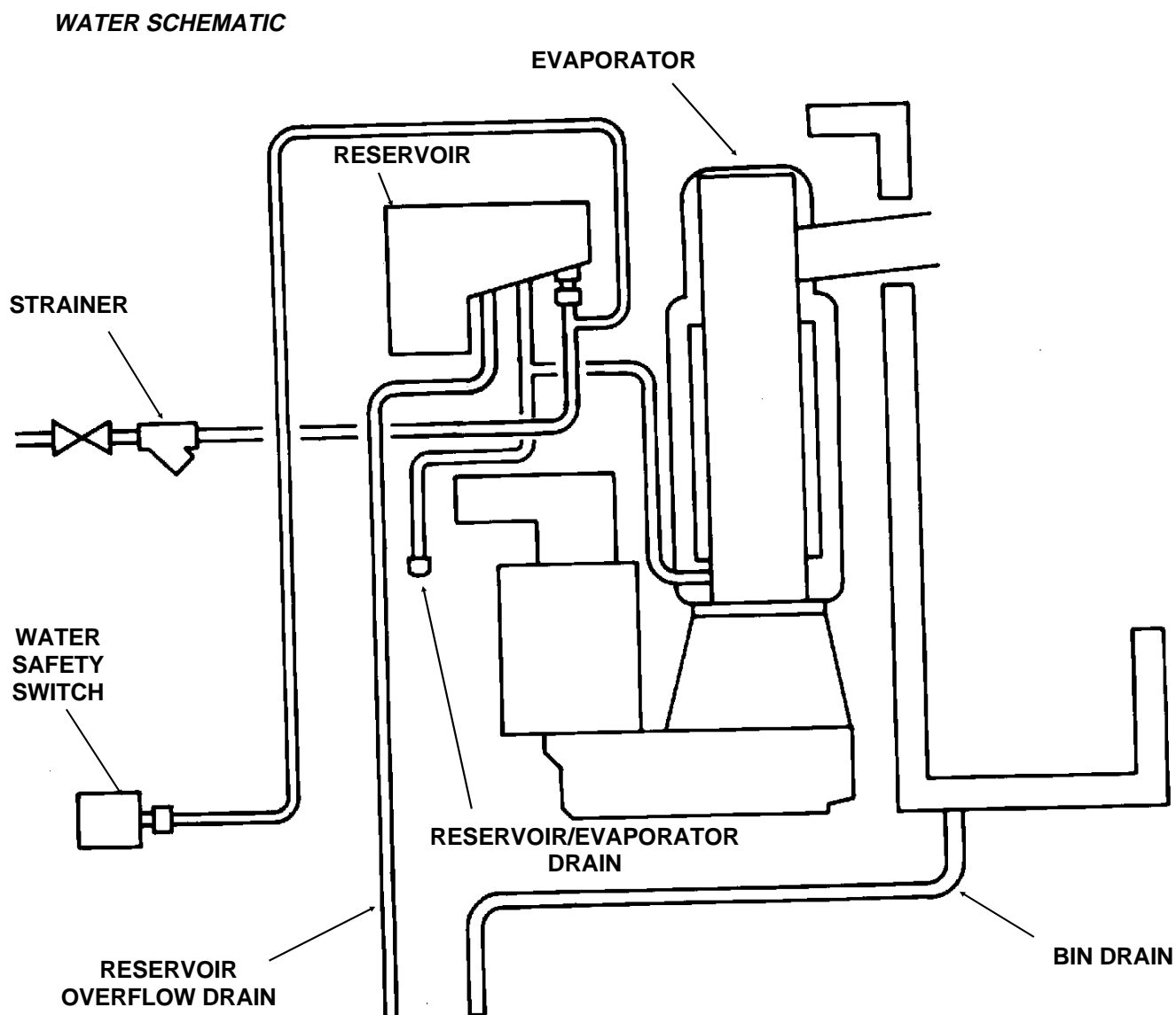
Note: The auger can't be pulled out when the unit is installed under the counter.

1. Remove the hood, door and ice storage bin.
2. Remove stainless steel cover plate.
3. Remove cover from reservoir, and block the float or shut off the water supply.
4. Locate evaporator drain and drain the evaporator/reservoir.
5. Remove O-ring holding insulation halves together at the top of the evaporator.
6. Remove insulation halves from the top of the evaporator.
7. Remove two screws from the back side of the evaporator.
8. Pull up on cap to remove.
9. Pull up on breaker pull ring to remove the ice breaker assembly, auger, and the top portion of the water seal.
10. Inspect the top bearing for water, rust, or wear. replace it if required.
11. After the auger has dried, check condition of the auger's finish, it should be clean and shiny. If not, scrub with Scotsman ice machine cleaner and a clean brush.
12. Reverse all of the above to reassemble.

Water Schematic:

Water flows into the ice machine from its inlet connection at the back of the cabinet, through the float valve and into the reservoir. The water in the reservoir then flows by gravity into the bottom of the evaporator. In the evaporator the water chills into ice crystals and is pushed up the evaporator by the auger.

At the top of the evaporator, the ice is pressed against a restriction, called a breaker, and some of the water is squeezed out of the crystalline ice. The flaked ice then flows through the chute into the bin.



AF300

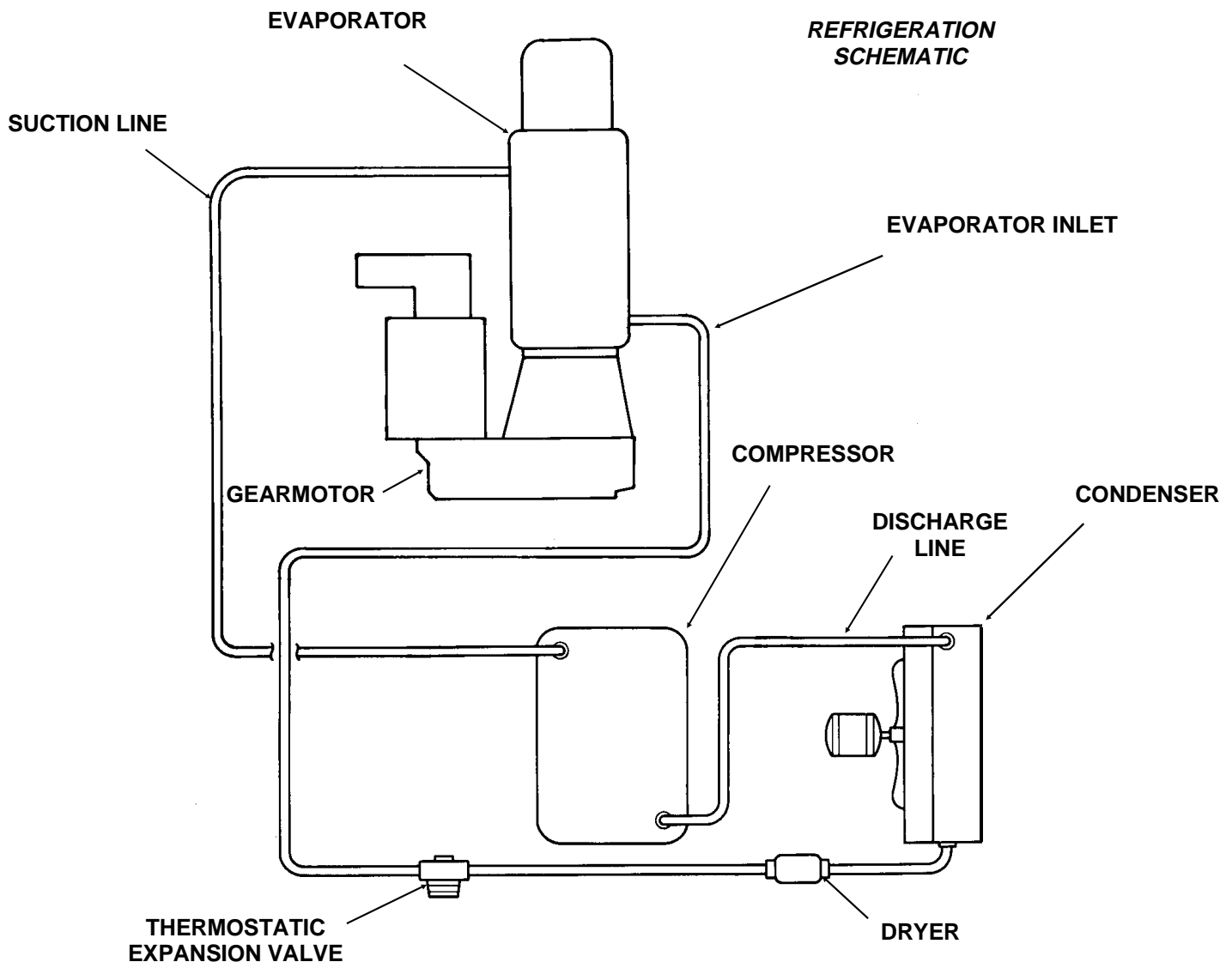
Refrigeration Schematic:

From the compressor, hot discharge gas is pumped to the condenser, either air or water cooled.

At the condenser, heat from the refrigerant flows into the cooling medium, either air or water, and the refrigerant condenses into a liquid. From the condenser the liquid refrigerant flows through the liquid line to the metering device - a thermostatic expansion valve.

At the thermostatic expansion valve, the liquid refrigerant passes from a high pressure zone to one of relatively low pressure, and in the low pressure zone it evaporates. The low pressure zone where the refrigerant evaporates is the evaporator. When the refrigerant evaporates, it absorbs heat from the metal parts of the evaporator and the water inside it.

From the evaporator, the refrigerant flows back to the compressor through the suction line.



Technical Characteristics

Typical Low Side Pressure:

- 27 - 31 PSIG

Typical Discharge Pressure

- 220-260 PSIG depending upon room air temperature (air cooled)
- 220-230 PSIG water cooled.

Refrigerant Type

- R-22

Refrigerant Charge:

- 17 ounces air cooled.
- 14 ounces water cooled.

Hi Pressure Cut Out Point:

- 400 PSIG, + or - 30 PSIG

Typical Compressor Amp Draw

- Compressor amps should be about 7.

Superheat

- 6-8° F.

Air Cooled Fan Motor

- 16 watt rating, 1500 RPM, CW

Water Cooled Fan Motor

- 5 watt rating, 1500 RPM, CW.

Compressor:

- Copelaweld hermetic model JSS5-0050-IAA, capacitor start, induction run.

Gearmotor:

- 1/10 H.P., shaded pole motor, 11 RPM output shaft speed.
- Gearmotor amps will be about 2.8 - 3.2.

Bin Thermostat:

- 45° F. cut in, 35° F. cut out (minimum).
- 61° F. cut in, 51° F. cut out (maximum).

Water Pressure Switch

- 10 PSI Cut Out, 20 PSI Cut In

Low Pressure Control

- Cut out at 4 PSIG, + or - 4

Auger Delay Pressure Control - SPDT:

- Contacts 3-2 close at 40 PSIG, open at 32 PSIG.
- Contacts 1-2 close at 32 PSIG, open at 40 PSIG.

AF300

Service Diagnosis: Condition - No Ice Being Produced

STATUS: **ICE MAKER DOES NOT OPERATE**

A. Check: Voltage to the unit, restore it if there is none. Compare to the nameplate. If the voltage is correct and the unit will not start, go to B.

B. Check: The master switch, switch ON if off. If the unit does not start go to C.

C. Check: The reset switch, (high pressure): depress and release the high pressure reset switch. If the unit still does not start, go to D.

The pressure control opens at 400 PSIG (+ or - 30). Normal operation: water cooled - water will flow from the condenser drain; air cooled - the fan blade turns and pulls hot air out of the machine. On water cooled, if the water supply was turned off, the unit will possibly trip on high pressure.

If the unit trips out on pressures below 370 PSIG, replace the control.

D. Check that the bin thermostat is closed. If open with no ice on it, turn thermostat knob CCW, if this does not close the thermostat, replace it. If the thermostat is closed and the unit will not start, go to E.

E. Check the water pressure to the unit. The machine will not run if there is not enough water pressure. Restore/adjust water supply. If the unit will not start with good water pressure, go to F.

F. Check the low pressure cut out. If the low pressure control is closed, go to G. If it is open, it could be due to:

- Very low ambient temperatures
- Low refrigerant charge
- The auger not turning
- Restricted system

Check the low side pressure, the low pressure cut out opens at pressure below 4 psig. If open it may be due to: a. the evaporator is too cold, because the **auger** was not turning when the unit was refrigerating; b. there is not enough refrigerant; c. there is a restricted system. Check a, b, or c. below.

If a. Check the **coupling**, if it's turning and the auger isn't, replace the coupling. If the coupling is not turning, remove the **gearbox** and check for internal damage, repair and replace in the machine.

If b. Check for low charge, add some refrigerant, if the unit will operate, (normal low side pressure being about 29 psig) stop and look for a leak, repair, replace the drier, evacuate, and weigh in the nameplate charge.

If c. Check for a restricted system, replace the drier, evacuate, and weigh in a nameplate charge.

G. Check that the Auger Delay contacts 3-2 are closed. If open, and the low side (suction) pressure is over 40 PSIG, replace the auger delay pressure control. If contacts 3-2 are closed, and the unit will not start, go to H.

H. Check: The gear motor, if it will not run, the compressor will not run. If there is power to the auger drive motor, and it does not run, replace the auger drive motor. If the motor operates, but the compressor will not start, go to I. Note: The gearmotor may not go to full speed if the evaporator bearings are worn or the evaporator needs cleaning.

I. If the gearmotor operates, but the compressor contactor coil does not have power, check the **centrifugal switch**. If the contactor coil does have power but does not pull in, replace the contactor. If all of the above check out, there will be power to the compressor.

Service Diagnosis: Condition - No Ice Being Produced

STATUS: *GEARMOTOR OPERATES, COMPRESSOR DOES NOT*

Check the **compressor**

1. Check the compressor start relay.
2. Check the overload. It could be open due to too much heat or too many amps. Too much heat could be too much superheat or not enough refrigerant to cool the compressor. Too many amps could be a relay or internal compressor problem.
3. Check the start capacitor. if its open, the compressor will not start.
4. Check the windings of the compressor for open windings or shorts to ground.

Replace those items found defective.

STATUS: *MAKES ICE, BUT ALSO MAKES EXCESSIVE NOISE.*

A. Check if the unit has been cleaned recently, it will make extra noise if minerals have stained the auger and/or evaporator. Clean it if in doubt.

B. Check the coupling by greasing it.

C. Check the bearings for wear.

D. Check the evaporator for wear. There are vertical ice guide marks machined into the evaporator's interior surface, they must be continuous - no horizontal marks are permitted. Vertical sanding of the evaporator interior may be required to clean it.

E. Check the gears in the gearmotor, a chipped tooth or worn bearings will cause noise from this area.

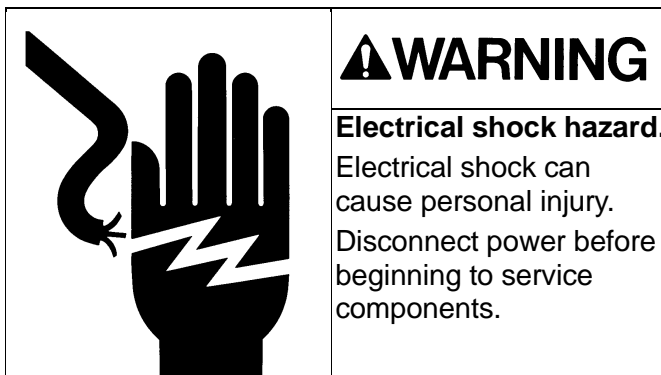
F. Check other sources of noise, such as the fan motor or compressor.

AF300

Removal And Replacement

Bin Thermostat

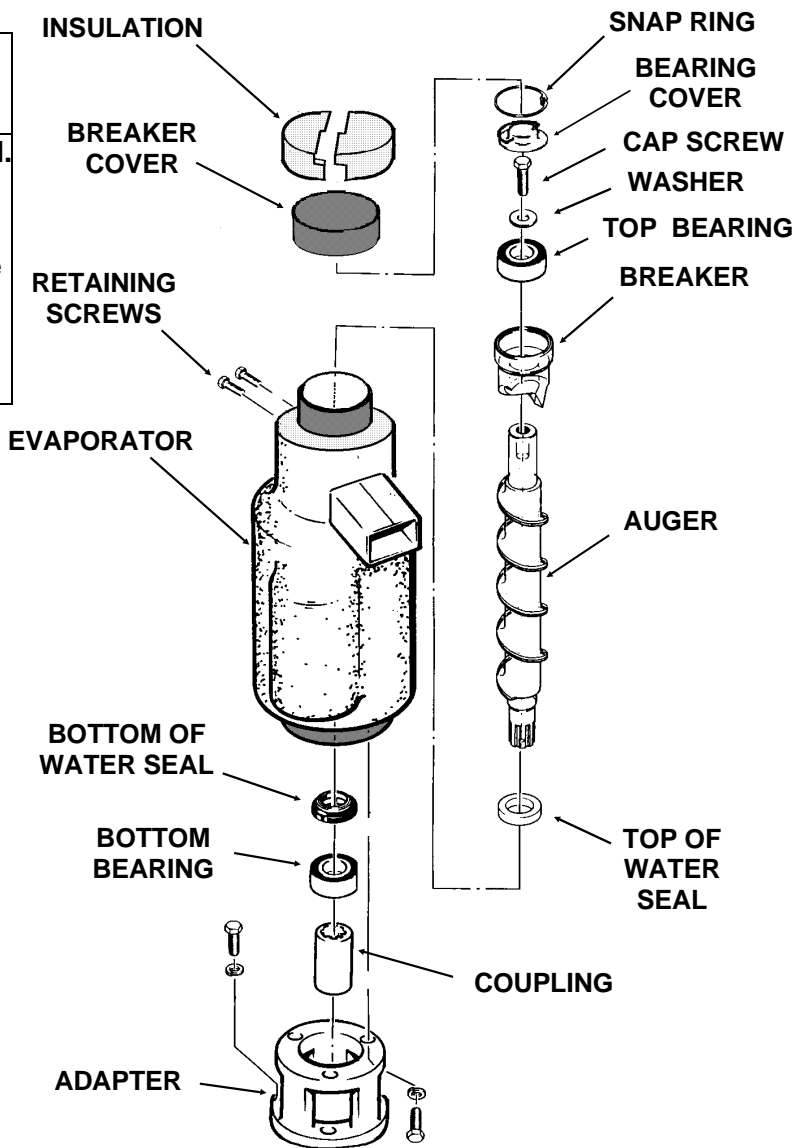
The bin thermostat controls the On and Off operation of the ice machine. The machine may take a long time to come on if the cabinet is in a cold environment. Do not change a bin thermostat because of reaction time if the ambient temperatures are extreme. It should be changed if, when ice is placed on the tube holder, it does not open within 2 minutes. It should also be changed if, when ice is removed from the tube holder, it does not ever re-close.



1. Remove the hood, door and ice storage bin.
2. Remove the control box cover.
3. Locate the bin thermostat at the front of the control box.
4. Remove the two screws holding the control to the control box.
5. Lift the control out of the control box, and pull the two wires off the controls posts.
6. Follow the capillary tube of the bin thermostat and remove it from the grommet in the back of the control box.
7. Pull the end of the bin thermostat from the tube holder.
8. Pull the capillary back through the grommet in the evaporator bracket until free. Remove the bin thermostat from the ice machine.
9. Reverse the above steps to replace. Water on the capillary tube will make the installation into the grommets easier.

Caution: Carefully route the bin thermostat capillary tube to be certain that the back curtain does not contact the capillary tube.

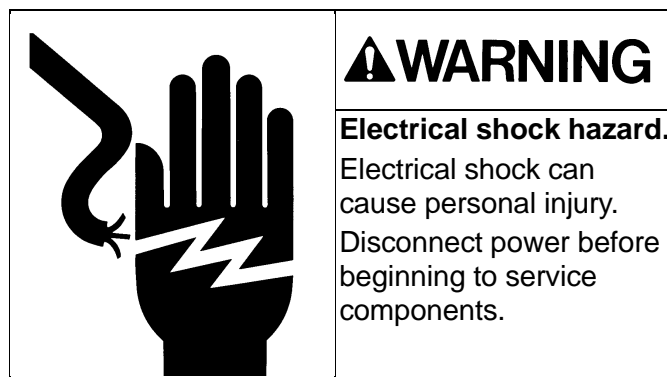
EVAPORATOR ASSEMBLY: INCLUDES ICE BREAKER AND AUGER



Removal And Replacement

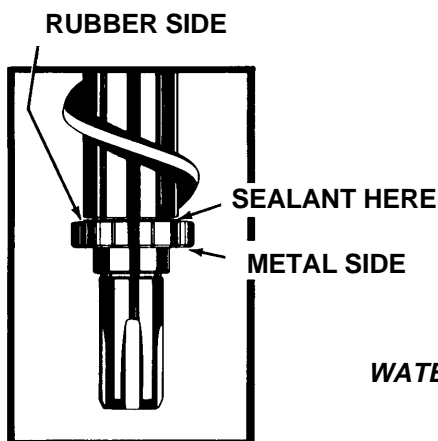
Ice Breaker and Auger Removal

Note: When the unit is installed under the counter, there is not enough room to remove the auger unless the evaporator is dismantled from the gearmotor or the ice machine is pulled out from under the counter.



1. Remove the hood, door and ice storage bin.
2. Remove stainless steel cover plate.
3. Remove cover from reservoir, and block the float or shut off the water supply.
4. Locate evaporator drain and drain the evaporator/reservoir.
5. Remove O-ring holding insulation halves together at the top of the evaporator.
6. Remove insulation halves from the top of the evaporator.
7. Remove two screws from the back side of the evaporator.
8. Pull up on cap to remove.
9. Pull up on breaker pull-ring to remove the ice breaker assembly, auger, and the top portion of the water seal.

The bearings may be replaced or the ice breaker and bearings may be replaced as an assembly.



WATER SEAL DETAIL

Water Seal Installation

Inspect the water seal in it's package. Do no use if mating surfaces are scratched or cracked.

1. Remove auger, unbolt evaporator from adaptor stand. Drive out old bottom bearing and water seal from the top down.
2. Remove the old rotating half of the water seal from the auger and clean the auger at the seal mounting area.
3. Apply Scotsman part number 19-0529-01 food grade sealant to the auger shoulder before pushing on the water seal. Place just enough sealant onto the shoulder of the auger, so that when the water seal is placed on the auger, the gap between the auger shoulder and the water seal is completely filled with the sealant.
4. Clean the inside of the evaporator at the bottom bearing and water seal mounting area. Lubricate the outside edge of the stationary seal with water.
5. Carefully push the stationary part of the water seal up into the bottom of the evaporator. It must go in straight and must not be pushed in beyond 1/4" past the bottom of the evaporator.
6. Install a new bottom bearing, push it into the evaporator under the new water seal. It must be pushed in straight, but do not push it in past 1/8" from the bottom of the evaporator tube.
7. Mount the adaptor stand to the bottom of the evaporator. Hand tighten the three cap screws until the stand flange is tight against the bottom of the evaporator. Hand tighten the three cap screws until the stand flange is tight against the bottom bearing. Then, tighten the screws in a rotating pattern to insure proper alignment.
8. The top bearing should also be changed at this time. Be sure to mount the top breaker/bearing assembly onto the auger before installing the auger into the evaporator tube.
9. Lower the auger into the evaporator, twist it to engage the splines of the coupling. Secure the breaker and bearing to the evaporator tube with the two screws removed in step 1 of "Ice Breaker and Auger Removal". Test the unit.

AF300

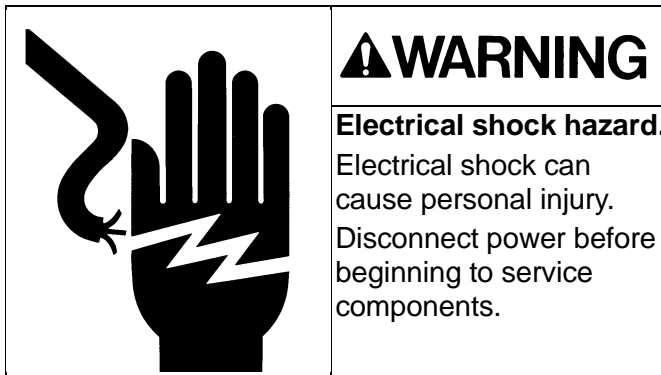
Removal And Replacement: Gearmotor Assembly

Rebuilding The Gearmotor Assembly

Drive Motor Parts:

To replace the centrifugal switch and mechanism or the motor winding or the motor rotor, removal of the gearbox assembly is not necessary.

1. Disconnect electrical power.



2. Remove the cover from the top of the centrifugal switch assembly and remove the electric wires from the microswitch. To replace just the centrifugal switch, remove two machine screws retaining the switch, and remove the switch. To replace, reverse the procedure to this point.

3. If the motor is to be removed, the next step is to remove the four screws holding down the plastic switch assembly housing and lift the housing off of the motor top.

4. Remove the centrifugal switch mechanism from the rotor by unscrewing the machine screw at the top of the rotor.

5. The motor and housing may now be removed. Lift off the motor fan housing, and pull off the plastic fan. The next part to be removed is the motor winding. Disconnect the electrical leads of the motor from its control box location and lift off the winding.

6. The rotor is all that remains of the motor in the gear motor assembly. Use a pry bar to carefully pry up the rotor. (The only thing holding it in is the tight fit of the bottom rotor bearing into the top of the gear case.) To replace any of the above parts, reverse the disassembly procedure.

Removal of the Gearmotor Assembly

1. Remove the hood, door and ice storage bin..
2. Remove the evaporator and reservoir cover plate.
3. Unscrew the bolts holding the gearmotor mounting plate to the ice machine chassis.
4. Use a 1/2" box wrench to unscrew the three cap screws holding the evaporator to the gearmotor.
5. Remove the motor and centrifugal switch electrical leads from their connections.
6. Raise the evaporator assembly up enough that the output shaft clears the freezer adaptor.
7. Remove the gearmotor assembly from the ice machine.

Gearcase Service

After removal of the gear motor from the unit, inspect the internal parts from this gearmotor.

1. Place the gearbox on a flat surface, covered with rags to absorb any spilled lubricant.
2. Using a punch, drive the roll pins out of the casing.
3. Remove the four cap screws on the top of the gearcase and the two under the motor.
4. Pry the two cases apart.

When inspecting the internal parts, look for:

- Condition and quantity of lubricant. The proper oil level is near the top of the output (biggest) gear. This takes 5 oz. Use Scotsman oil, part number A25835-001.
- Bearing condition
- Gear and Shaft condition
- Woodruff key between output gear and shaft.
- Grease seals, back to back.
- Vent hole

Be sure to count and retain the spacer washers as they come out of the gearbox.

Replace the parts as required, using the part numbers found in the parts section of this manual. Replace the gears into a CLEAN bottom gearcase, after adding some grease to the bearings. Replace the spacers in the same quantity as they were removed. If no count was kept, use the numbers found in the parts list.

Removal And Replacement: Gearmotor Assembly

Note: Some bearing grease should be placed in all bearings before assembly to insure proper lubrication upon start up.

Reassembly

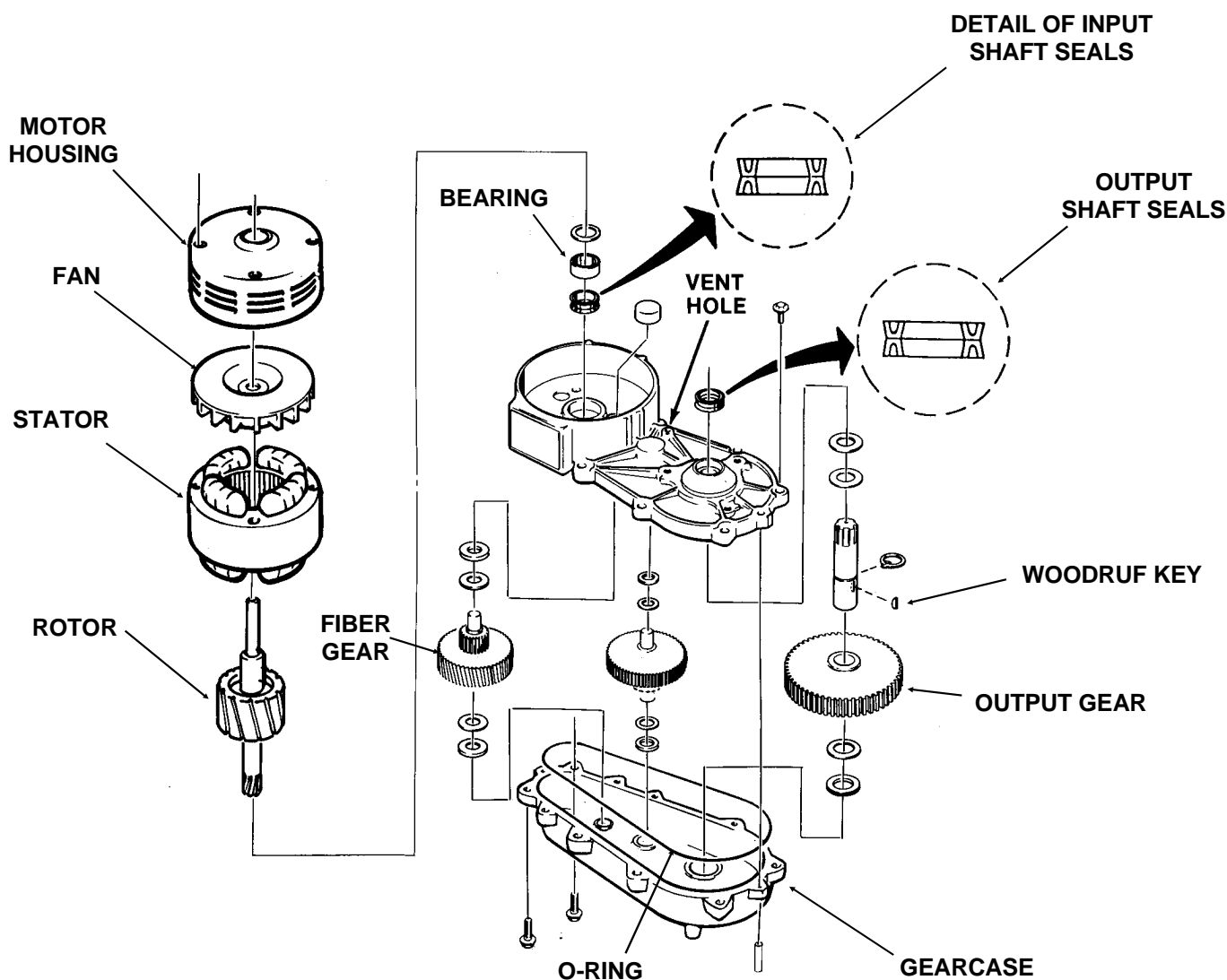
1. Set top gearcase on gears and spacers and oil. Be sure O-ring is in place.
2. Drive roll pins back into locating holes.
3. Replace cap screws into gearcase cover, and torque at 80-90 inch pounds.

4. Bench test the gearmotor assembly.

Test for noise, amp draw (must not be in excess of ice maker nameplate for gearmotor) and oil leaks.

Return the gearmotor assembly to the unit. Be certain all mounting surfaces are clean and reassemble to the gearmotor mounting plate. Then bolt back onto ice machine chassis.

GEARMOTOR PARTS

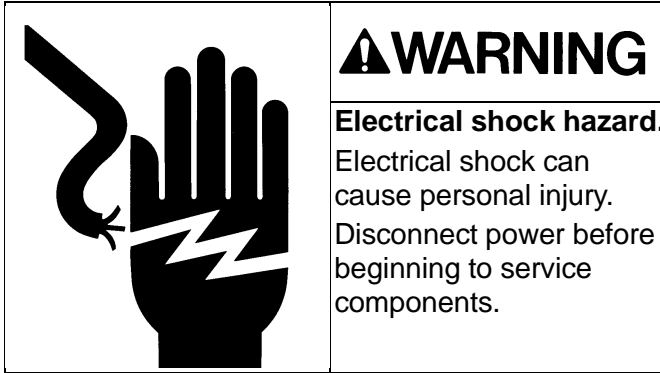


AF300

Removal and Replacement

Evaporator:

The evaporator may be removed from the ice machine without removing the ice machine from its installed position. The evaporator should only need to be replaced if there is a refrigerant leak in the jacket or it has become worn or pitted internally.

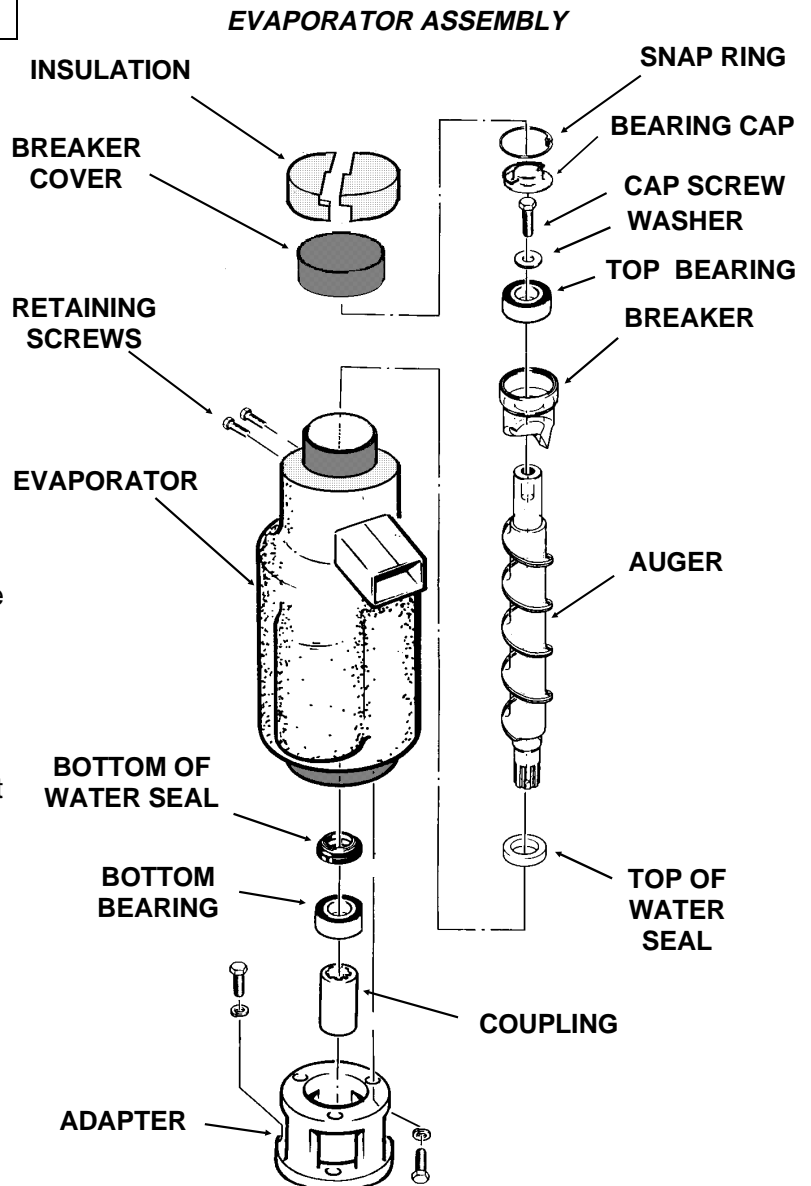


1. Remove the hood, door and ice storage bin..
2. Remove the evaporator and reservoir cover plate.
3. Unscrew the bolts holding the gearmotor mounting plate to the ice machine chassis.
4. Pull the gearmotor forward enough to gain access to the cap screw in the back.
5. Use a 1/2" box wrench to unscrew the three cap screws holding the evaporator to the gearmotor.
6. Shut off water supply.
7. Drain the reservoir and evaporator.
8. Pull water inlet tube off evaporator water inlet.
9. Remove the refrigerant from the unit. Reclaim, recover or recycle the refrigerant, do not discharge into the air.
10. Unsweat or cut the liquid and suction line tubes to the evaporator at the joints to the left of the evaporator.
11. Raise the evaporator assembly up enough that the output shaft clears the freezer adaptor, and remove the evaporator from the ice machine.

12. After the evaporator has been removed from the ice machine, the auger and bearings may be removed. The fasteners, auger, breaker cover, and insulation halves should be saved for use in the new evaporator. New bearings and a water seal will be required when replacing an evaporator.

13. To replace with a new evaporator, install the bearings, water seal and auger in the new evaporator before installing in the chassis. Check the coupling, replace if worn. If the water seal has been leaking, check the interior of the gearmotor for water.

Reverse the above steps to replace, braze the two refrigerant joints together, check for leaks. Replace the dryer, evacuate and weigh in the nameplate charge.



Removal and Replacement: Refrigeration System

General:

Scotsman recommends that any work on the refrigeration system only be done when it is certain that the system needs repair.

- Refrigerant should not be added except as a way to determine the proper operation of the product. If the system was low on refrigerant, there is a leak, and it must be found and repaired.
- Refrigerant must not be wasted to the atmosphere, but recovered.
- This system has a critical charge, it must be recharged with the correct amount of refrigerant as listed on the nameplate of the ice machine, or performance will suffer.
- Anytime the refrigeration system has been opened, the dryer should be replaced.
- When brazing the tubing connections to the thermostatic expansion valve, the component must be protected by heat sink material.
- If the air cooled condenser must be replaced, the unit will have to be removed from its installed location, and the back panel removed to gain access.

Specifically:

Recover, reclaim or recycle refrigerant. The method chosen is up to the service company. There are various mechanical devices that may be used to recycle refrigerant at the field level, however, Scotsman requires that any refrigerant placed into a Scotsman ice machine meet ARI spec 700. Reclaim programs are available thru most refrigerant wholesalers.

Use conservation minded service procedures:

- Refrain from checking refrigeration pressures without reason. There are many ways to determine the proper operation of a Scotsman ice machine without using refrigerant gauges. Visual inspection of the water system, observation of the ice formation, amp draw, voltage, and other techniques will lead to proper diagnosis. Scotsman also recommends that, at the time of initial start up, gauges not be used.
- If gauges must be used, do not always check the high side pressure. If the condenser is clean and seems to be operating correctly, it most likely is. The low side pressure is much more important on an ice machine than is the high side.
- If gauges must be used, use very short hoses. Minimal refrigerant discharged into the hoses equals minimal refrigerant discharged into the air.
- If using recycled refrigerant, it must meet ARI spec 700 or have been cleaned by a machine capable of attaining ARI spec 700. Removal and Replacement: Refrigeration System

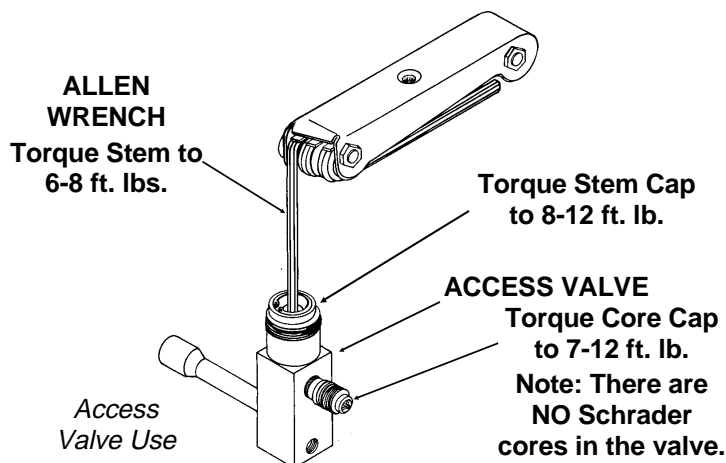
AF300

Removal and Replacement: Refrigeration System

If the refrigeration system must be serviced, the quality of service must insure that there will not be a repeat failure, as repeat failures will cause refrigerant to be discharged into the air by the failure or when the failure is corrected:

The access valves are at the front of the cabinet, behind the left grill. To use them, remove the cap from the stem, and using an 3/16" allen wrench, check that the valve is CLOSED. Then remove the core cap and attach gauges in the usual way. The valve may then be opened to service the system. Note: several turns are required to fully open the valve.

Close the valve and replace the caps when the job is finished. The Valve MUST be Closed and the caps MUST be on, or the VALVE WILL LEAK.



- If there has been a compressor burn out, check for acid in the oil. If acid is indicated, extra steps must be taken to clean up the system.
- Never use refrigerant, such as R-11, to clean up or flush out a refrigeration system. When system clean-up is required, the use of suction line filter-dryers and liquid line filter-dryers are recommended.
- Always replace the dryer when repairing a leak or replacing a refrigeration component.
- Evacuate the system with a good vacuum pump to 500 microns or less. If the triple evacuation method is used, the vacuum should be broken each time with dry nitrogen, not refrigerant. Evacuation must be from both sides of the system.
- Weigh in or measure in the nameplate charge. Recharge into the high side.

- Check for leaks with a high quality, electronic leak detector. Halide torches will not locate the very small leaks.

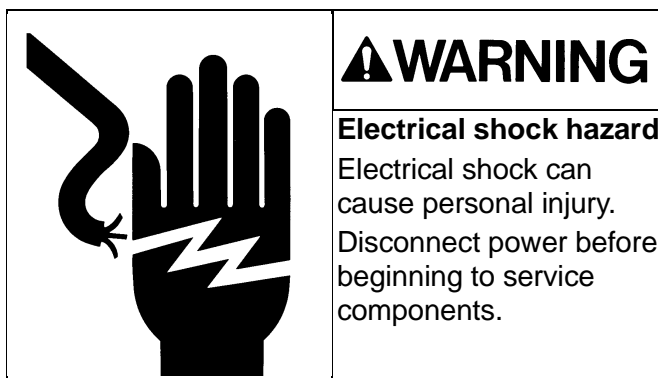
If an ice machine is to be discarded and still contains refrigerant, Scotsman recommends that the refrigerant be recovered, reclaimed, or recycled so that it is not discharged into the air.

Control Box Service

The control box may be lifted up from its normal position to improve service access.

To Move Control Box

1. Disconnect electrical power.



2. Go thru the steps to remove the hood, door and bin.
3. Locate and remove the 3/8" hex head screw holding the control box to the base, just below the purge switch.
4. Pull the control box forward about an inch.
5. The control box may now be moved up the height of the control box, be careful not to kink any capillary tubes.
6. After service, replace the control box in its normal position.